

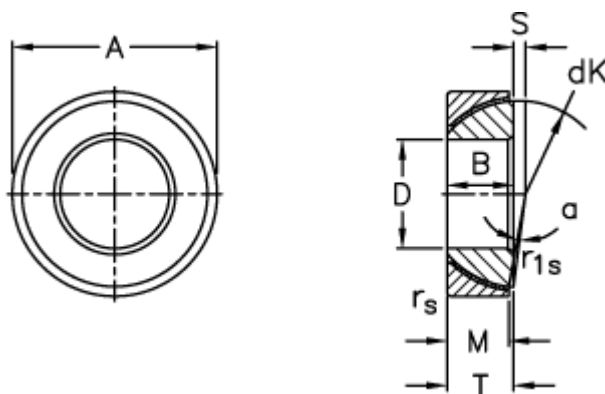
# Data Sheet



Article number: 03510070

Description: Fluro Rod end GE 70SW

## Measures



A = 110 0 -0,018

B = 25

D = 70 0 -0,015

dK = 102

Dynamic load C (kN) = 415

M = 23

rs, r1s min = 1.1

S = 7.2

Static load C0 (kN) = 830

T = 25 +0,25 -0,50

Tilt angle = 2

Weight = 1040